



EFENTO

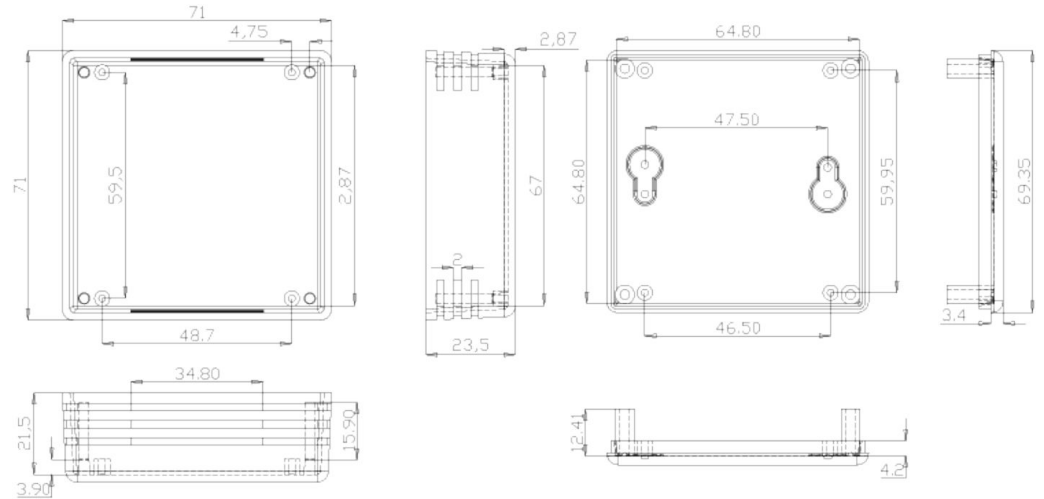
Efento sensors- configuration possibilities

www.getefento.com

Enclosures for Efento sensors

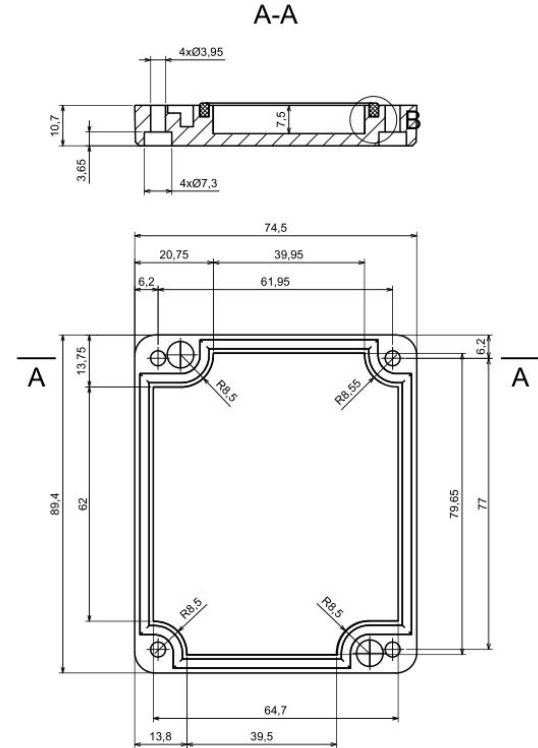
IP30 Enclosure for BLE sensors (HS5 model)

→ standard IP30 (price included in the sensor price)



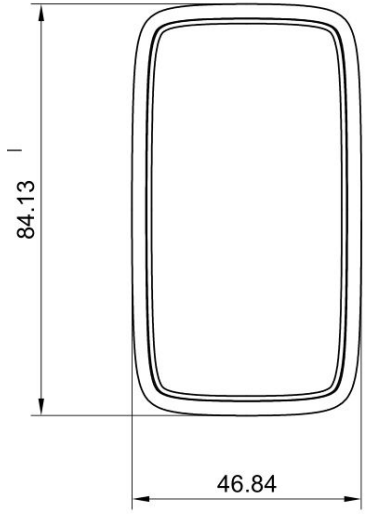
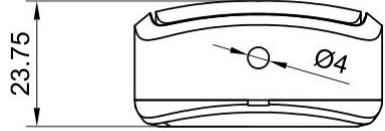
IP67 Enclosure for BLE sensors (HS5 model)

- IP67 enclosure - on request **+EUR 6,5**
- IP67 enclosure is dedicated for the sensors with external probe only



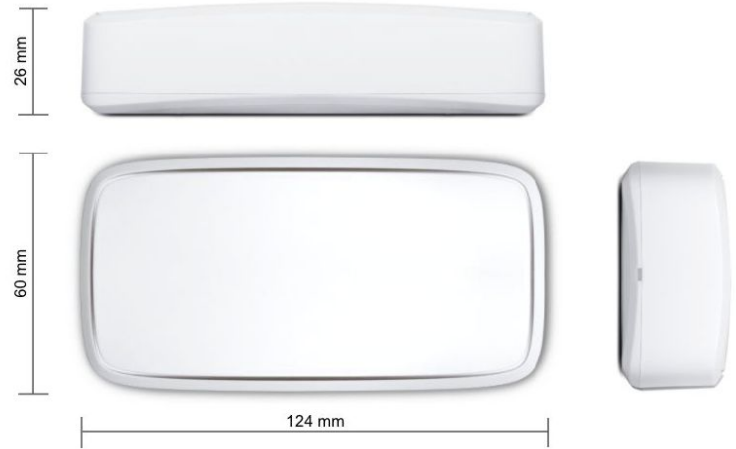
IP30 Enclosure for BLE sensors (HS6 model)

→ standard IP30 (price included in the sensor price)



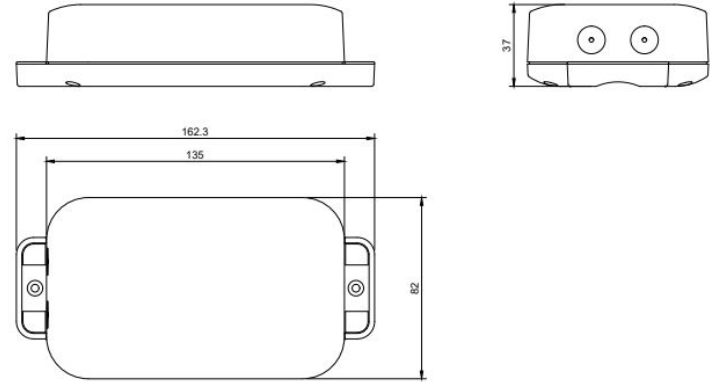
IP30 Enclosure for NB-IoT sensors (HC5 model)

→ standard IP30 (price included in the sensor price)



IP67 Enclosure for NB-IoT (HC5 model)

- standard IP30 (price included in the sensor price)
- IP67 enclosure - on request **+EUR 8,0**
- IP67 enclosure is dedicated for the sensors with external probe only



Probes for Efento sensors

Temperature sensor with external probe- STANDARD

- standard length: **1m** - price included in the price list
- for orders over 30 pcs possible other length:
 - stick: + EUR 2,0
 - <1 m: + EUR 2,5
 - 2m: + EUR 3,0
 - 3m: + EUR 3,5
 - 5m: + EUR 5,0
 - 12m: + EUR 11,0
 - 20m: + EUR 24,0
- for orders over 30 pcs it is also possible to place 2 probes in one device



Temperature probe with a hole for screw

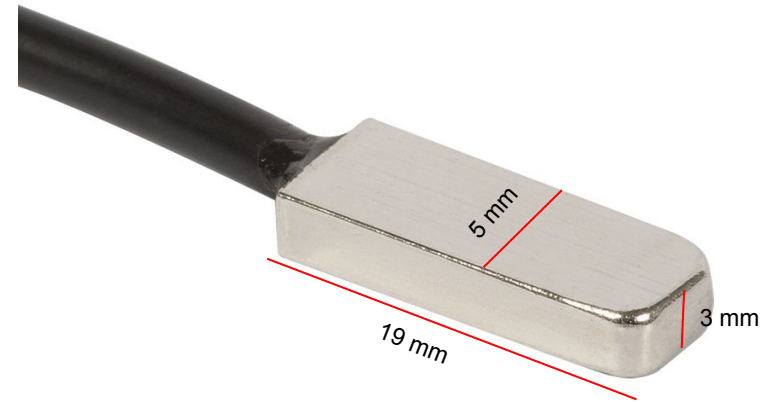
- standard length: **4 m**
- price: + EUR 4
- for orders over 50 pcs possible other length



39mm | fi=5mm

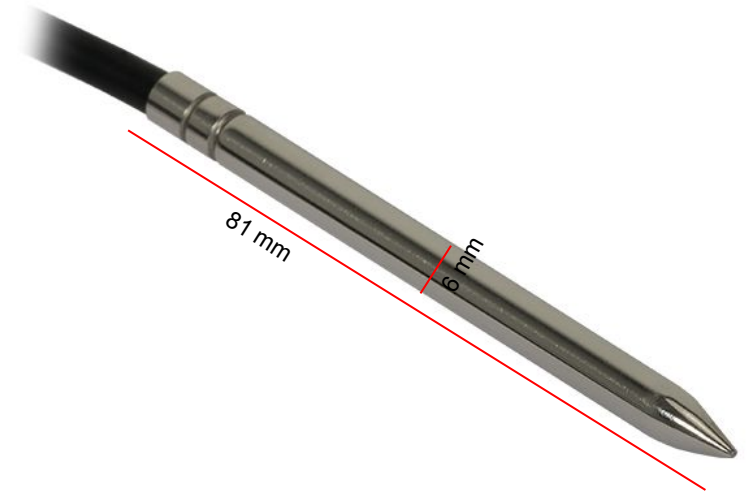
Temperature probe with external probe- FLAT

- standard length: 1m
- price: + EUR 1
- dedicated for monitoring surface temperature
- for orders over 50 pcs possible other length



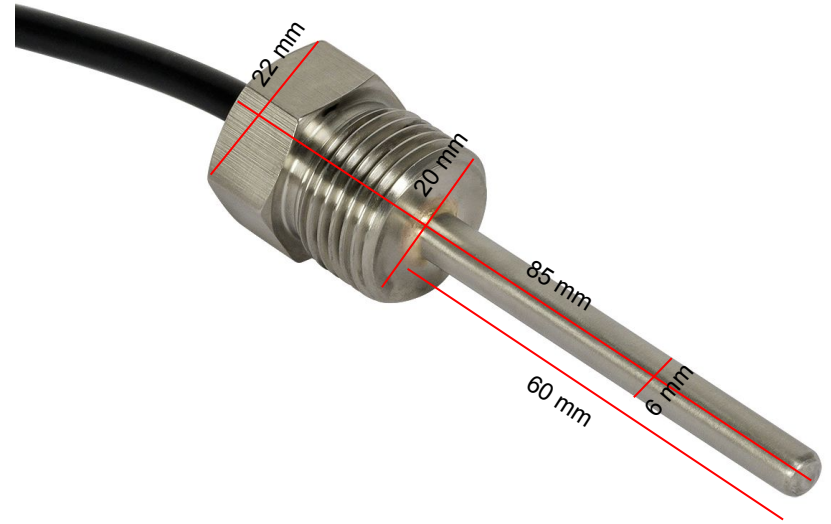
Temperature probe with external probe-SPIKE

- standard probe length: 1m, price: (+ EUR 1)
- 3m probe length on request (+EUR 3,5)



Temperature probe with external probe-SCREW

- probe length: 3m
- price: +EUR 11



Temperature sensor LOW/HIGH (Pt1000)

- standard length: **1m** - price included in the price list
- length: 3 m - price +EUR 4
- for orders over 50 pcs possible other length:



Accuracy of temperature+humidity

Bluetooth temperature + humidity sensor (inbuilt)

- HS6 model

- EAN: 5905309600102 - with SHT31- standard
- EAN: 5905309600102 - with SHT41- price: + 3,5 EUR, MOQ: 50 pcs
- EAN: 5905309600102 - with SHT45 - price: +7,0 EUR, MOQ: 100pcs



Bluetooth temperature + humidity sensor with external probe- HS6 model

- SKU: 5905309600126 - with SHT31- standard
- SKU: 5905309600126 - with SHT41- price: + 3,5 EUR, MOQ: 50 pcs
- SKU: 5905309600126 - with SHT45 - price: +7,0 EUR, MOQ: 100 pcs



NB-IoT temperature + humidity sensor (inbuilt) - HC5 model

- EAN: 5906660327622 - with SHTC3- standard
- EAN: 5906660327622 - with SHT41- price: + 4,0 EUR, MOQ: 50 pcs
- EAN: 5906660327622 - with SHT45 - price: +7,5 EUR, MOQ: 100 pcs



NB-IoT temperature + humidity sensor with external probe- HC5 model

- EAN: 5906660327653 - with SHT31- standard
- EAN: 5906660327653 - with SHT41- price: + 3,5 EUR, MOQ: 50 pcs
- EAN: 5906660327653 - with SHT45 - price: +7,0 EUR, MOQ: 100 pcs





EFENTO

+48 574 753 980

efento@efento.pl

<https://getefento.com/>